

7/25/2017

ITEMS REQUIRED: 8MM WRENCH 12MM WRENCH 13MM WRENCH 5MM HEX WRENCH

INSTALLATION:

1. REMOVE THE L/H SIDE COVER (1A) BY GRASPING AT THE FRONT AND PULLING SHARPLY OUTWARD TO DISENGAGE THE COVER FROM THE MOTORCYCLE.
2. USING A 12MM WRENCH, REMOVE THE TWO BOLTS (2A) HOLDING THE L/H PASSENGER FLOORBOARD (2B) TO THE FRAME.
3. REMOVE THE L/H FLOORBOARD (2B) AND THE PANEL (2C) BY DISENGAGING THE THREE RUBBER TABS (2D).
4. USING AN 8MM WRENCH, REMOVE THE BOLTS (3A) HOLDING THE L/H PASSENGER FLOORBOARD (3B) FROM THE PANEL (3C).
5. REINSTALL THE L/H PANEL (2C) ONTO THE MOTORCYCLE BY REINSERTING THE THREE RUBBER TABS (2D). (THE PANEL WILL FIT LOOSELY UNTIL THE BOARDS ARE REINSTALLED.)
6. USING A 5MM HEX ALLEN WRENCH AND A 13MM WRENCH, INSTALL THE L/H FLOORBOARD TO THE L/H ADAPTER PLATE (4B) WITH TWO M8 X 1.25 X 30 FLATHEAD BOLTS (UNCHROMED) (4C), TWO FLAT WASHERS (4D), AND TWO LOCKNUTS (4E).
7. USING A 5MM HEX ALLEN WRENCH, INSTALL THE FLOORBOARDS (4A) AND PLACE ASSEMBLY (4B) ON THE MOTORCYCLE USING TWO M8 X 1.25 X 40 CHROMED FLATHEAD BOLTS (4F) AND THE L/H BRACKET (4G). (THE L/H BRACKET WILL HAVE THE LARGER DIAMETER SPACER TO THE REAR OF THE MOTORCYCLE.) DETERMINE WHICH OF THE THREE POSITIONS THE BOARD SHOULD BE LOCATED FOR MAXIMUM COMFORT. THEN TIGHTEN THE BOLTS DOWN.
8. REINSTALL THE L/H SIDE COVER (1A).
9. REPEAT STEPS 1 THROUGH 8 FOR THE R/H SIDE OF THE MOTORCYCLE.

NOTE: THE FLOORBOARDS EASILY ADJUST BY SIMPLY LOOSENING THE FLATHEAD BOLTS (4F) FAR ENOUGH TO ALLOW THE BOARD AND ADAPTER PLATE ASSEMBLY TO MOVE UP OR DOWN TO AN ALTERNATE POSITION.

NOTE: RETIGHTEN BOLTS AFTER BOARDS ARE MOVED.

FIGURE #1

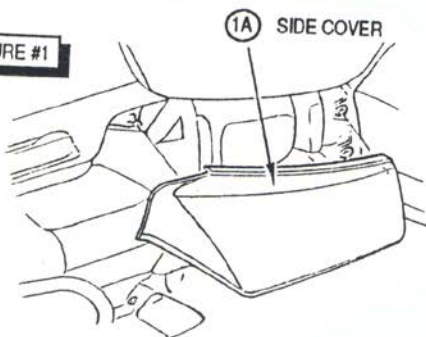


FIGURE #2

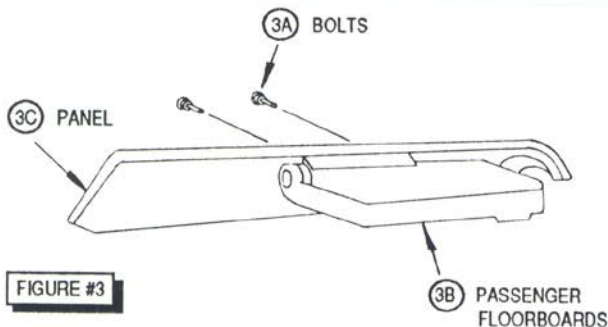
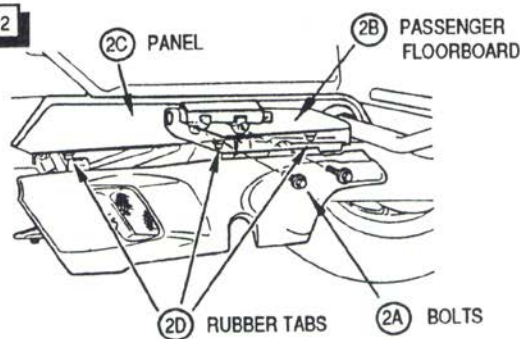


FIGURE #3

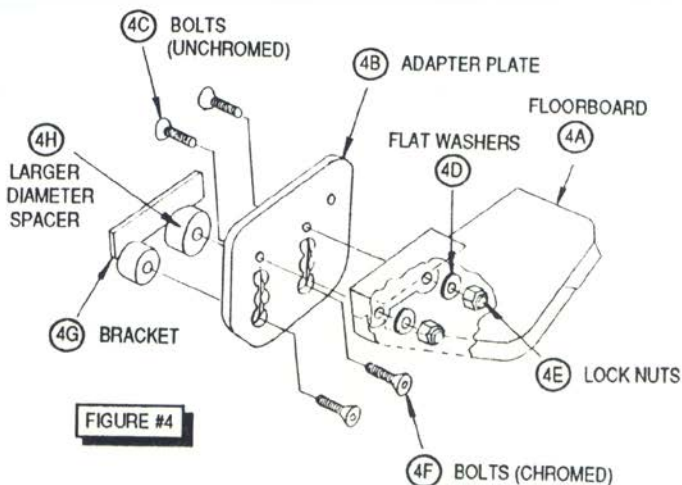


FIGURE #4